

PRODUCT INFORMATION PACKET

Model No: 5KC49TN0033

Catalog No: C295

1 HP General Purpose Motor, 1 phase, 1800 RPM, 115/230 V, 143T Frame, TEFC
Single Phase TEFC Motors



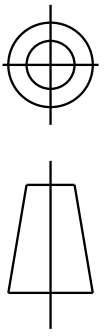
Nameplate Specifications

Output HP	1 Hp	Output KW	0.75 kW
Frequency	60 Hz	Voltage	115/230 V
Current	13.2,6.6 A	Speed	1725 rpm
Service Factor	1	Phase	1
Efficiency	72.2 %	Power Factor	0
Duty	Continuous	Insulation Class	B
KVA Code	K	Frame	143T
Enclosure	Totally Enclosed Fan Cooled	Thermal Protection	N/R
Ambient Temperature	40 °C	Drive End Bearing Size	6205
Opp Drive End Bearing Size	6203	UL	Recognized
CSA	Yes	CE	N

Technical Specifications

Electrical Type	Capacitor Start Induction Run	Starting Method	SM
Poles	4	Rotation	Counterclockwise/Clockwise
Mounting	Rigid Base	Motor Orientation	ANY
Drive End Bearing	BALL	Opp Drive End Bearing	Ball
Frame Material	Rolled Steel	Overall Length	13.33 in
Frame Length	7.68 in	Shaft Diameter	0.880 in
Shaft Extension	2.25 in		
Connection Drawing	52A105381BA	Outline Drawing	52A107722P1

This is an uncontrolled document once printed or downloaded and is subject to change without notice. Date Created:03/11/2020

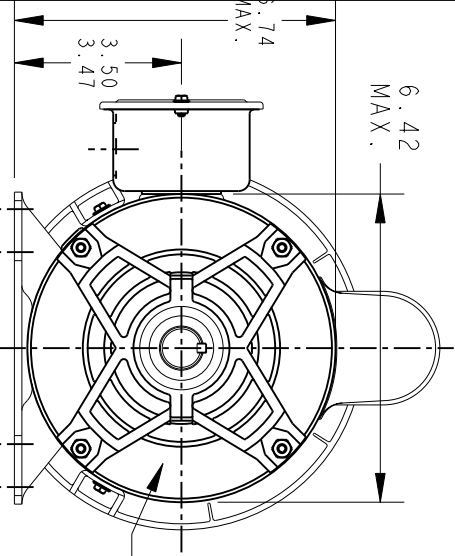
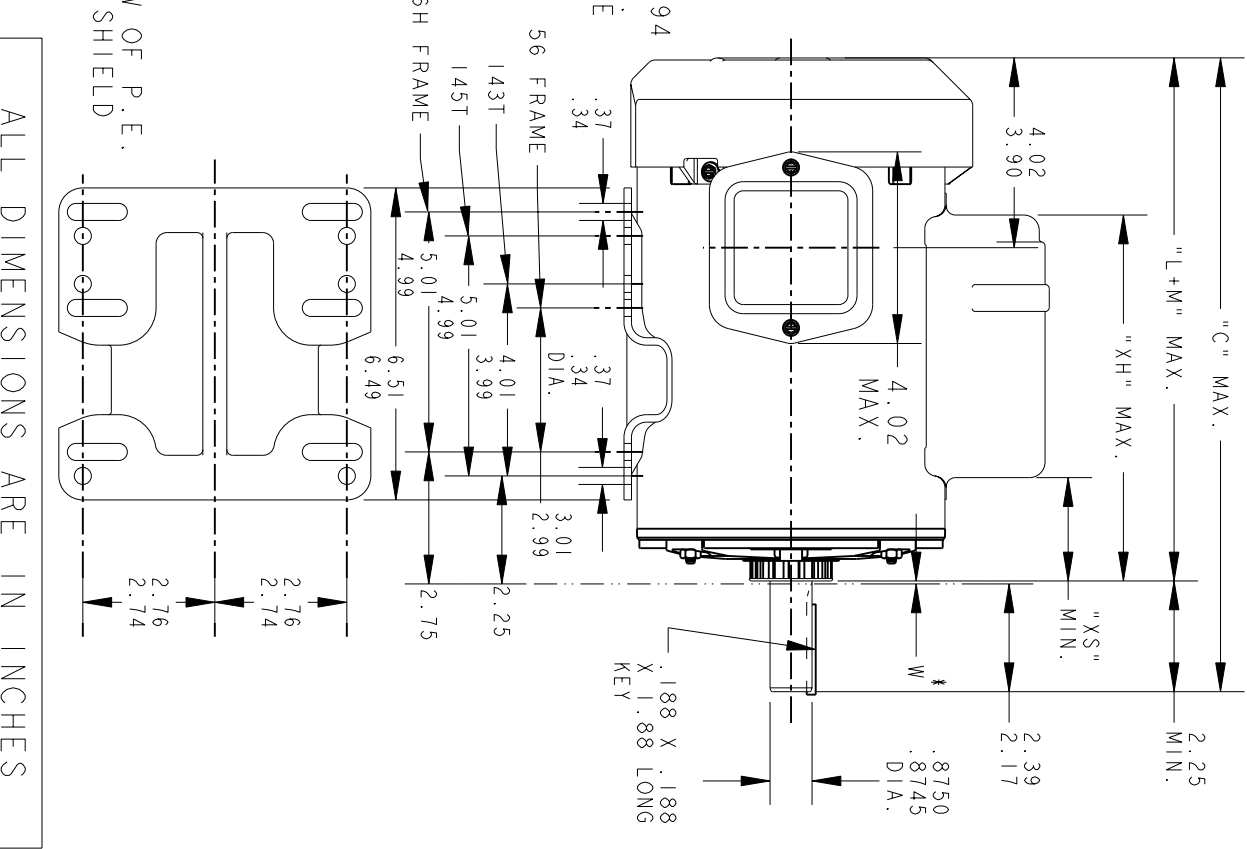
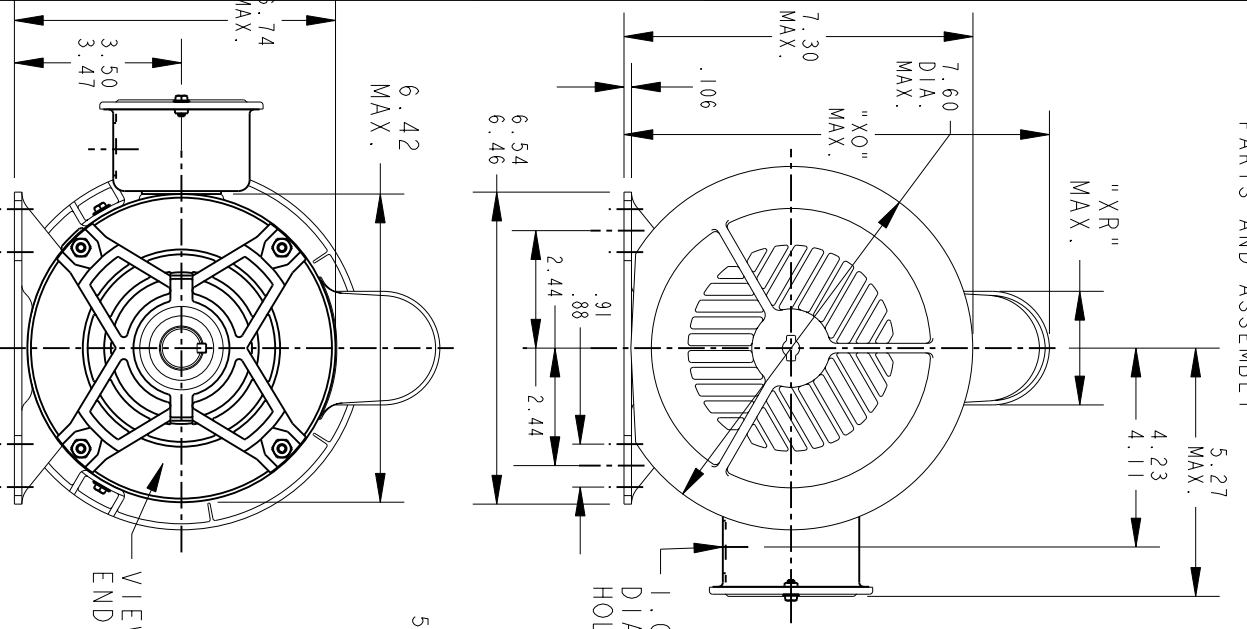


REV.	DESCRIPTION	DATE	APPROVED
3	UPDATED DIMS. PER STANDARDS.	06/24/92	M.D. PAPE
4	CHG TO RBC FORMAT PER ISO5-1777	03/01/06	SUDHA

52A107722 4

SIZE A DRAWING NO.

* W IS A VARIABLE CLEARANCE DUE TO VARIATIONS IN PARTS AND ASSEMBLY



VIEW OF P.E. END SHIELD

ALL DIMENSIONS ARE IN INCHES

P	TYPE	GE	SIZE	NEMA FR.	"C"	"L+M"	"XH"	"XO"	"XR"	"XS"	MIN. SHELL
I	KC	49		143T 145T	13.33	11.07	7.76	8.94	2.40	2.01	7.68

SIGNATURES		DATE
MODEL	M.D. PAPE	08/30/91
DETAIL		
CHECKED		
ENGRG		



REGAL-BELOTT CORPORATION

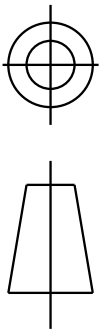
TITLE OUTLINE

GENERAL PURPOSE MOTOR TEFC - BALL BEARING
 WELDED BASE R2 END MOUNTED FWF - 40 FRAME REDESIGN (SKC491TM00331)

FOR ADDITIONAL INFO REFER TO:	MFG	
APPLIED PRACTICES	QUALITY	
DIMENSIONS ARE IN INCHES	ISSUED	M.D. PAPE 08/30/91
MATERIAL	SOLID MODEL:	52A107722

SCALE: 0.250	REF. No.:	
SIZE: DRAWING A	REV	52A107722 4
	SHEET	1 of 1

THIRD ANGLE PROJECTION

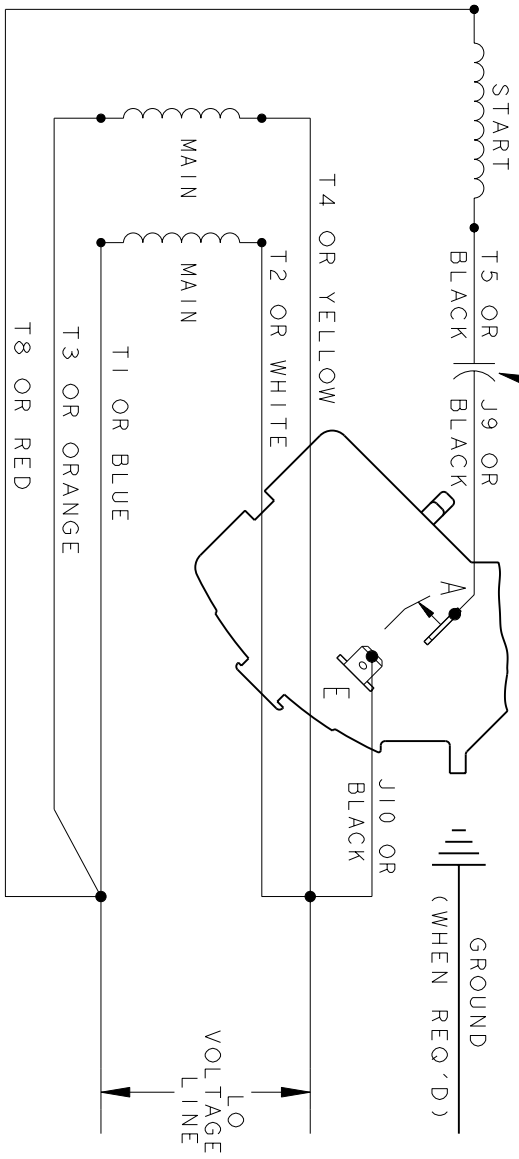


REVISIONS

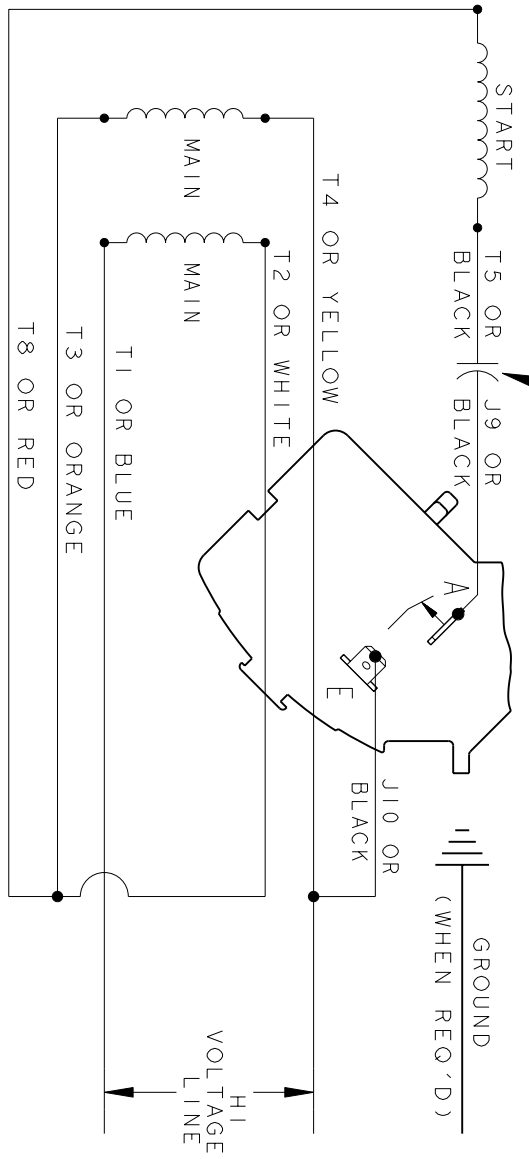
REV.	DESCRIPTION	DATE	APPROVED
3	UPDATED FORMAT	01/04/06	MAM

CCW/CW ROTATION - DUAL VOLTAGE
TYPE KC OR KH

CAPACITOR AS SHOWN FOR KC MOTORS ONLY. LEAD T5 BLACK CONNECTED DIRECTLY TO TERMINAL BOARD FOR KH MOTORS.



CAPACITOR AS SHOWN FOR KC MOTORS ONLY. LEAD T5 BLACK CONNECTED DIRECTLY TO TERMINAL BOARD FOR KH MOTORS.



NOTE#1 - TO REVERSE ROTATION, INTERCHANGE T8 RED AND J10 BLACK LEADS.
NOTE#2 - WHEN MORE THAN ONE CAPACITOR IS USED, CONNECT IN PARALLEL.

SWITCH (H) - 115D958AA

REF. DIAG. - 113A326 CONNECTION LABEL - 52X332917



REGAL-BELOIT CORPORATION

CONNECTION DIAGRAM

SIGNATURES		DATE
MODEL	M.D. PAPER	06/29/87
DETAIL		
CHECKED		
ENGRG		
MFG		
QUALITY		
ISSUED	M.D.P.	06/29/87
SOLID MODEL: 52A105381BA		

TITLE	FME: 30 FRAME SWITCH REDESIGN	REV
SIZE DRAWING	A	3
SCALE: 1.000	REF. No.:	SHEET 1 of 1